



Choose from a variety of cones to ensure that your X-ray is the best fit for your clinical needs.



Intuitive control panel with pre-programmed exposure settings for all areas of both adult and pediatric dentitions.

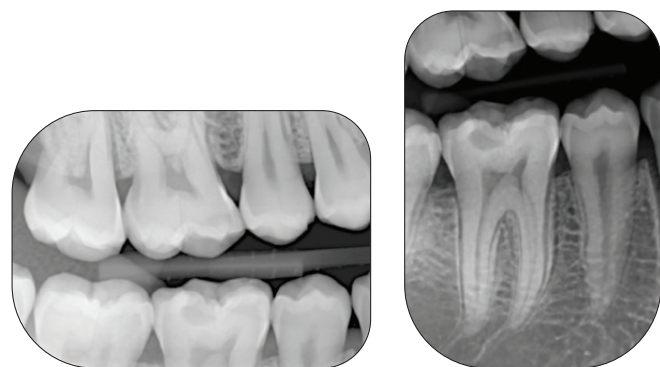
Long-lasting performance with repeatable image quality

The accurate FOCUS X-ray generator technology ensures safe exposure and repeatable image quality at all times. Selectable tube voltage of 60/70 kV combined with a steady tube current of 7 mA allows optimal X-ray settings for all indications.

Choose from a variety of cones to ensure image sharpness, usability and optimal radiation hygiene. FOCUS provides you with consistent image quality exposure after exposure and is fully compatible with digital imaging plate systems, digital sensors and film.

Premium components and high quality designs used in FOCUS result in reliable operation and long service life. This makes the FOCUS X-ray the perfect choice for precise dental diagnostics in your practice.

**Producing
consistent results,
exposure after exposure**



Transforming Practices and Patient Smiles

Designed with ease-of-use for all clinicians in mind, DEXIS now offers dependable and consistent imaging solutions that provide vital information to support accurate diagnosis and predictable treatment planning.



DEXIS FOCUS™
Focus on your patient



PaloDEX Group Oy Nahkelantie 160, FI-04300 Tuusula, Finland

© 2022 PaloDEX Group Oy. All rights reserved.



Exceptional stability yet amazingly light to handle

The choice of three different arm lengths makes FOCUS the perfect X-ray for any practice. Long arm reach ensures FOCUS X-ray is always where it is needed.



FOCUS X-ray is extremely stable, yet amazingly light and easy-to-handle. It positions smoothly with just one hand. The movement stops when you want it to stop — no drifting or repositioning. This exceptional stability is a result of the ADM anti-drift mechanism in the scissor arm. This innovative design provides complete immobility after positioning, which is essential in order to get clinically correct images.

ADM
ANTI-DRIFT MECHANISM

✓ EXCEPTIONAL STABILITY

✓ ANTI-DRIFT MECHANISM

✓ RELIABLE OPERATION

✓ SMOOTH MOVEMENTS

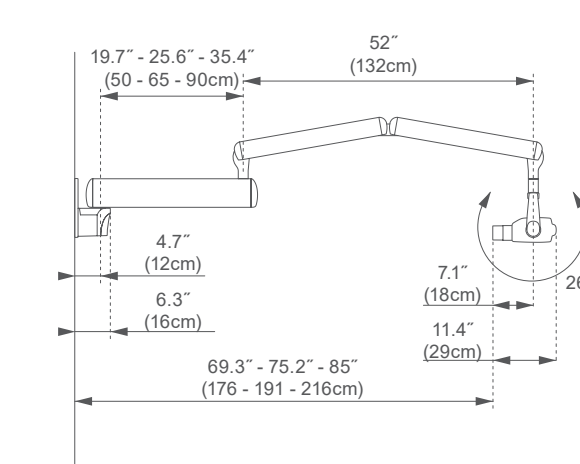
✓ CONSISTENT IMAGES

✓ EXCELLENT BUILD QUALITY

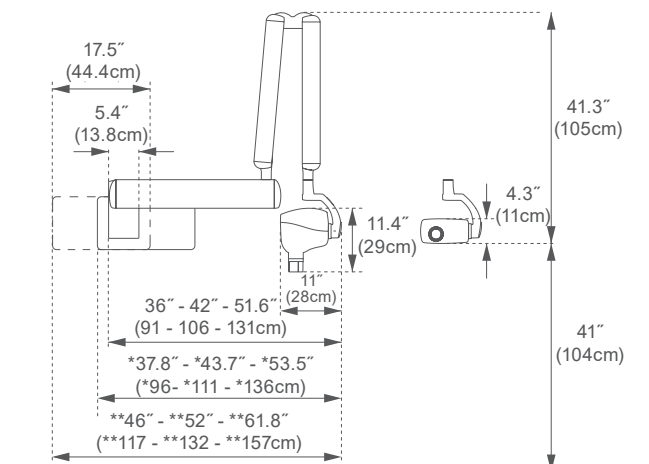
Technical specifications

Generator	Constant potential (high voltage DC, 100–200 kHz)
Tube voltage	60 kV, 70 kV selectable
Tube current	7 mA
Focal spot	0.7 mm (IEC 60336)
Total filtration	2.0 mm Al (70 kV)
Exposure time	0.02 to 3.2 seconds
SSD (Source-Skin Distance)	9" (229 mm) standard cone; 12" (305 mm) long cone
Line voltage	115–230 VAC ± 10%, 50 /60 Hz
Reach	69", 75" and 85" / 176, 191 and 216 cm
Weight	66 lbs (30 kg)

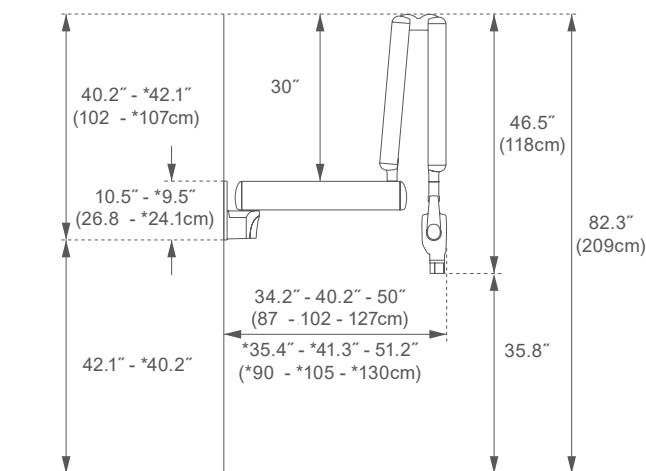
Dimensions



Note: Dimensions are based on single stud mount and short cone. Two-stud mount extends out an additional 1 3/16" (3.0cm)



Note: Dimensions are based on single stud mount and short cone. * Denotes dimensions based on two-stud mount oriented to the right. ** Denotes dimensions based on two-stud mount oriented to the left.



Note: Dimensions are based on single stud mount and short cone. * Denotes dimensions based on two-stud mount.