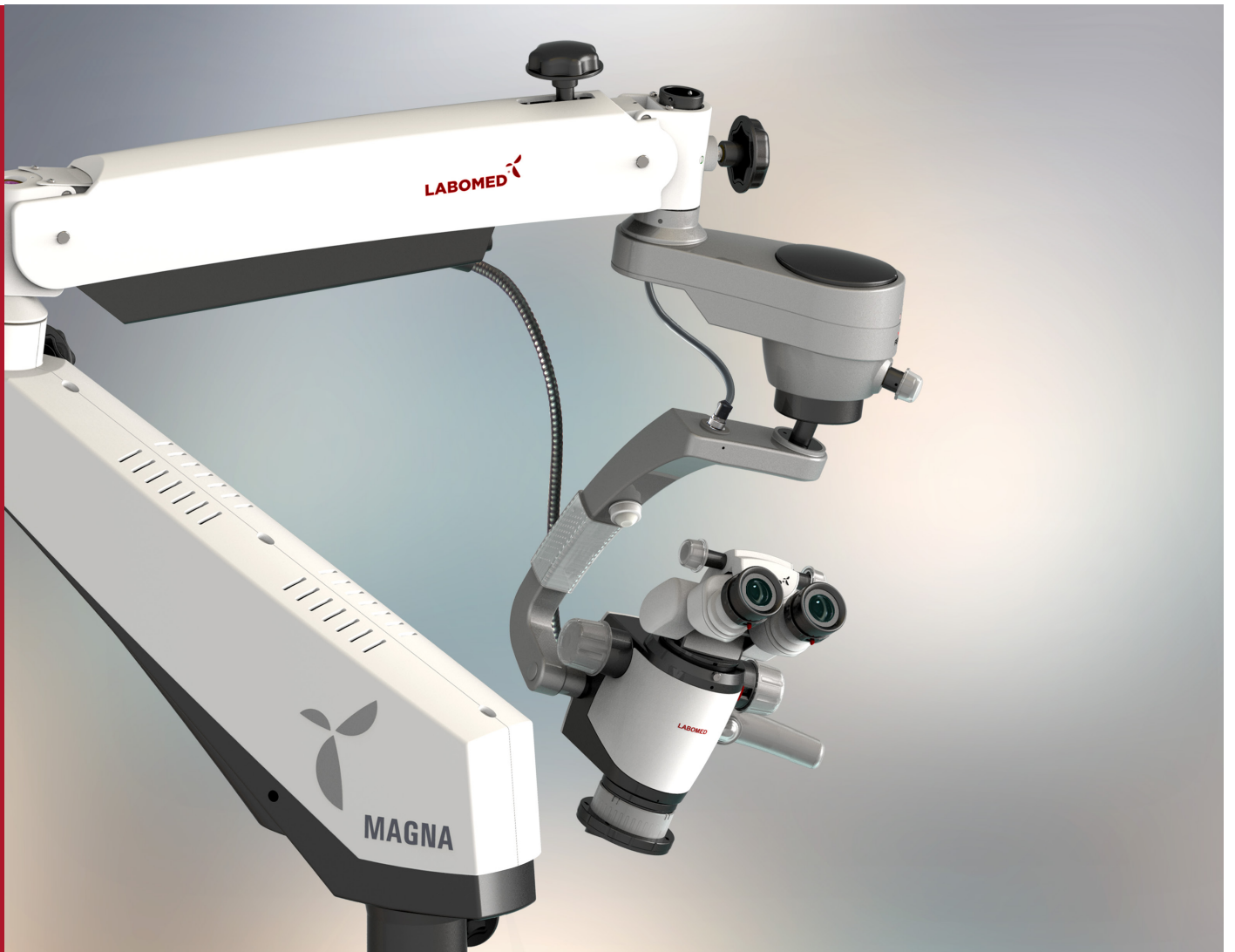


MAGNA

DENTAL OPERATING MICROSCOPE



A NEW MILESTONE IN DENTAL MICROSCOPY



With a name derived from the Latin word meaning “greatness,” the Labomed® Magna dental microscope brings to your practice the power of crystal clear visualization in a compact, ergonomic design. The system features a highly responsive apochromatic zoom system, ensuring ease in landing on the ideal magnification. True to tradition, the sharpest images are a certainty with every microscope carrying the Labomed® mark.

A brilliantly designed Automatic Balancing Arm (ABA) features an electromagnetic brake system that enables the ultimate flexibility in positioning the microscope’s viewing angle and position. No counter balancing of head mounted accessories needed. The microscope moves smoothly and effortlessly with the press of a button, and locks into place upon release. A built-in LED provides shadow-free white light for up to 60,000 hours at well over 100,000 lux.

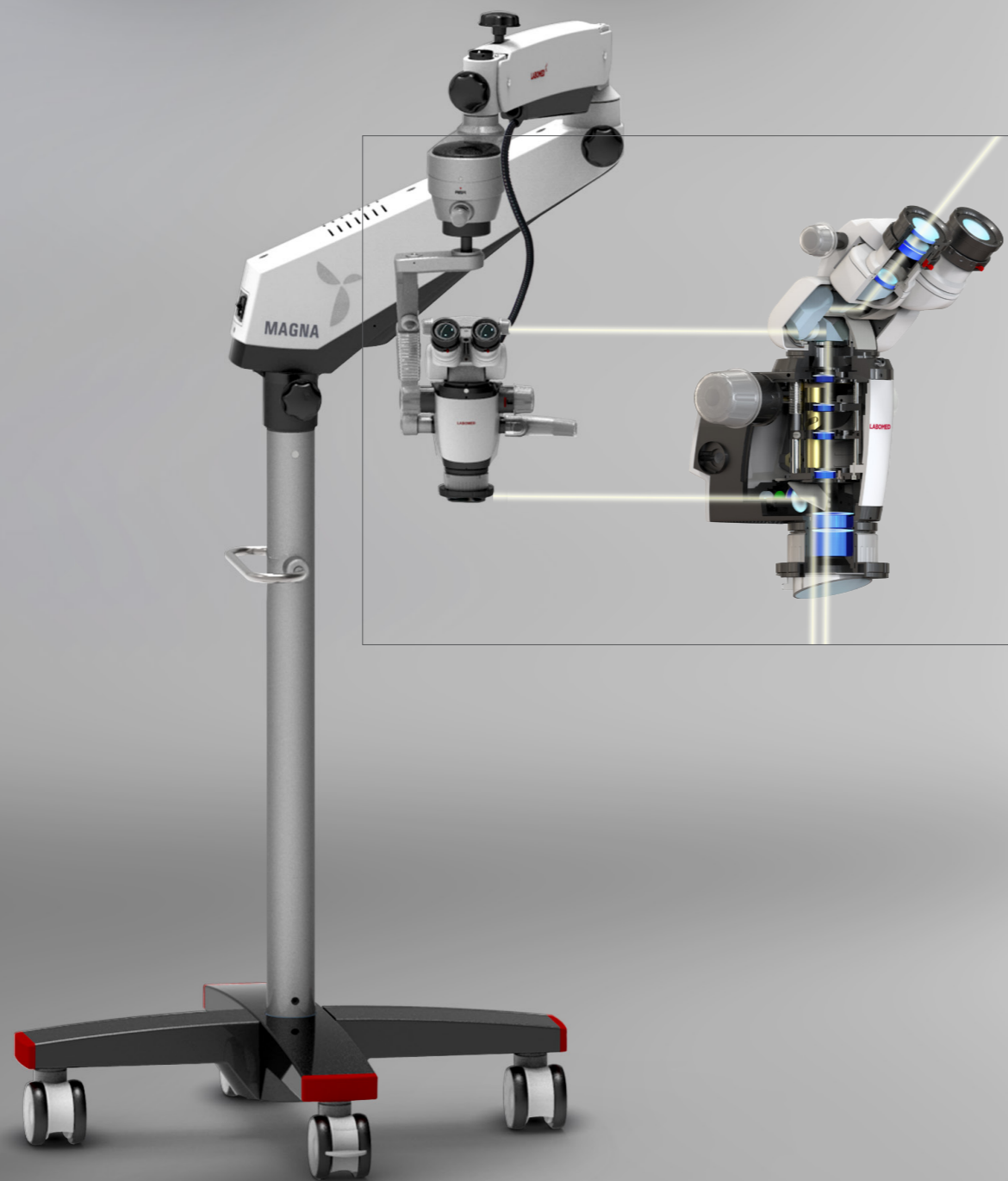
The Labomed® *NuVar* variable working distance objective comes standard, and provides users greater convenience in achieving a comfortable working distance. Bundled with ergonomic optical accessories and digital adapters, the Magna is fully equipped and ready to tackle all user requirements without the fuss and cost of add-on accessories at the time of purchase.

All of these advantages come together in a modern arm and stand system that provide feather-touch accuracy and finesse in articulation, delighting the most discerning of users.

LABOMED®



THE POWER OF ZOOM



In terms of optics, the Magna's apochromatic design provides the ultimate color correction for three wavelengths and features a zoom mechanism, providing a wide range of magnifications. All optics feature our MaxLite coatings, promising reflection-free and highly durable optics with maximum light through-put.

Practitioners with all degrees of experience will appreciate the Magna's zoom system, which features a push-in detent lever that will allow users repeatable and easily identifiable magnification stops. This provides a quick change over from continuous zoom to an 8 stop setting.

An effortless articulation system was the impetus for the ABA brake system. Conveniently located release buttons are situated on both the left side (on the carrier) and the right side (on the ergonomic handle) of the microscope, making the system highly intuitive. Holding down either of the release buttons allows the microscope to move with ease, regardless of the accessory load. When the button is released, the microscope immediately holds its position.

"The ABA brake release is so simple and responsive that I can reposition the microscope with one hand."



Right Hand Release



Light Intensity



Left Hand Release

ERGONOMIC POSTURE AND CRISP DOCUMENTATION



Both the ergonomic handle and carrier arm are equipped with a brake release button, appealing to both right and left handed users. The *NuVar* variable objective comes equipped with a responsive control collar for smooth adjustments to focal length.

A 45-degree extender wedge and rotoplate will keep users in the most ergonomic seated position, maintaining an upright posture even at extreme treatment angles. A DSLR adapter makes the system ready for all documentation needs.



Clutch Handle



NuVar

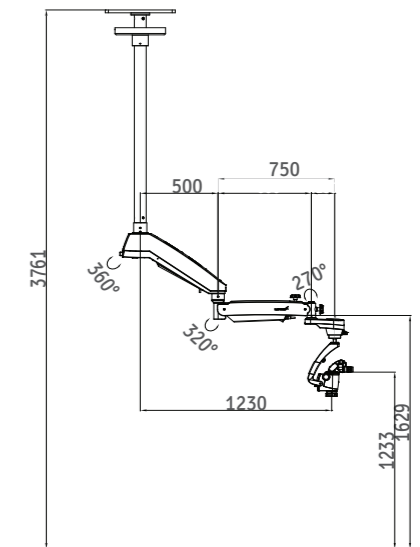


DSLR Adapter

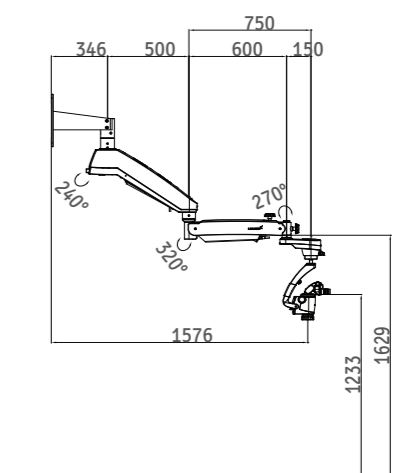
A super bright LED provides over 100,000 lux at daylight color temperature, nearing the light quality of Xenon but without the high cost of frequent bulb changes. The Magna promises up to 60,000 hours of degradation-free bulb life.

The Magna comes standard with a heavy base floor stand for maximum stability. For greater efficiency in smaller operatories, the Magna can be equipped with ceiling or high-mount wall kits, keeping structural elements out of the way.

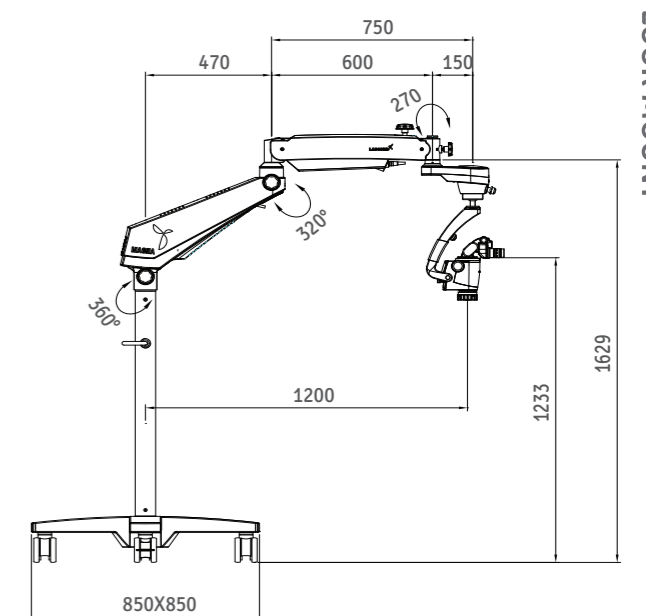
The ABA system will provide the greatest degree of freedom with the advantage of its inherent arm extension, making it easier for wall and ceiling mounted systems to reach desired viewing positions.



CEILING MOUNT



WALL MOUNT



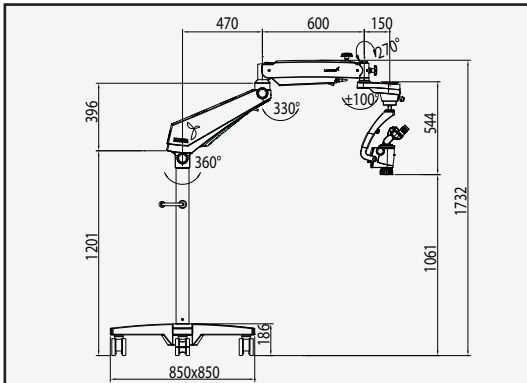
FLOOR MOUNT

All dimensions in mm

MAGNA

Stand	Robust, vibration-free stand on a cross base with four lockable caster wheels
Binocular Tubes	0-210° tiltable head configured with Rotoplate, DBSi (inclined double beam splitter), Double iris and DSLR Adapter
IPD Adjustment	50-75 mm
Eyepieces	WF 10X/18 mm lockable eyepieces, one with resolution markup to assist in diopter adjustment
Diopter Adjustment	± 5mm with diopter lock
Apochromatic Magnichanger	Galilean Zoom 1:6, convertible to 8 step magnichanger
Zoom Range	0.4-2.5X
Objective	<i>NuVar</i> system with variable focal length adjustment from 300-400 mm with fine focus mechanism
Light Source	50 watt LED, 90-240V
Maximum Wattage	195 watts
Built-in Filters	Yellow and Green
Vertical Movement of Arm	± 250 mm, power saving feature with light cut-off in park position
Microscope Carrier	ABA (Automatic Balancing Arm) with electromagnetic release for easy, drift-free positioning
Mounting Options	Floor stand, wall mount and ceiling mount

SPECIFICATIONS



DESCRIPTION	CONFIGURATION	CATALOG NO.
MAGNA	Floor Stand	6129000
MAGNA	Ceiling Mount	6129001
MAGNA	Wall Mount	6129002



Labo America, Inc.
920 Auburn Court
Fremont, CA 94538

Tel: (510) 445-1257
Fax: (510) 445-1317
E-mail: sales@laboamerica.com

www.laboamerica.com



Distributor

6129000-796 1.0
© Labo America, Inc. All rights reserved.